

CMW

new
office
furniture
systems



A New Complete Office Furniture System

Compatico Movable Wall (CMW) is a new complete office furniture system designed to stand alone, be interchangeable with, or work in tandem with Steelcase's Avenir® panel system. What makes it different is it is produced and supported by Compatico, a company whose commitment to customer service is unsurpassed in the office furniture industry.



Service that's More Than a Department

Customer Service isn't a department at Compatico. It is a principle that is at the core of everything we do for our customers. You'll benefit from this philosophy when your order is specified, priced, ordered, financed, and shipped. Our people work to solve your office system challenges as if they were their own.

customer first
service



An Affordable Alternative to OEM Systems

CMW's straightforward design and durable construction make it one of the best values on the market today. It is UL listed and backed by a 10-year warranty similar to OEM furniture systems, and it is lower priced.



Smaller Size, Better Service

Our superior customer service is a direct result of our size. A condensed hierarchy and streamlined staff give you complete access to the people working on your behalf. We're able to make decisions more quickly, respond more quickly, and deliver a quality product in less time.



customer first
service

Simple, But Not Limited

CMW offers the colors, fabrics, and finishes you need to make your office unique. Its simplicity ensures pricing that makes financial sense for your business.



customer first
service

Empowered People Who Perform

Our simplified structure leads to greater empowerment of our people, so they are more motivated to perform at the highest level for our customers. Because our employees feel greater ownership for their area of responsibility, they also stay with us longer, raising the level of knowledge and expertise you'll receive when you specify CMW by Compatico.



Multiple Panel Options

CMW panels are available with a fabric covered hard surface, tackable or acoustical, open or glazed frames, and door units. It also comes in 6 standard paint finishes that match or are compatible with Steelcase® colors. Full acrylic panel choices include frosted, clear, and smoked.



A Wide Selection of Worksurfaces

CMW worksurfaces are available in many colors or wood grain finishes, and are trimmed with a 3 millimeter banding. Surface shapes include rectilinear, curvilinear, peninsula, round, or racetrack. 180° or 90° spanners and straight or curved counter caps can also be incorporated into your CMW system.

Quality Vendors Add to Quality Service

The longevity and expertise of our staff cultivates strong and lasting relationships with our vendors. Solid alliances with suppliers allow us to overcome obstacles more quickly, solve problems more effectively, and negotiate greater cost savings for you.



Panel features a mid-height top cap with a knockout that allows for data and communication cabling.

Pedestals are available in 6 standard colors. They are configured with box/file, box/box/file, or file/file, and can be work surface supporting, freestanding or mobile. "S" pedestals include drawer dividers and a pencil tray insert.

Standard work surfaces have durable, high pressure laminate surfaces. They are available in a variety of colors and wood grains with complimenting 3mm edge banding. 90° and 180° postformed edge details are also available.

Leg supports for work surfaces come painted to match your finish selection. They are offered in a single or dual leg, and can be adjusted up or down to address floor irregularities.

Paper management is designed to create added workspace for the office environment. Paper trays and sorter trays, and binder, CD, and pencil holders create a more efficient workspace.

Full glazed panels are available with clear, smoked or frosted acrylic. Partial glazed panels are also available. Glazed panels are assembled in widths of 24", 30", 36" or 48", and in 65" and 80" heights.

A Full Range of Storage Options

Tailor work spaces to fit individual needs with a complete assortment of storage options. Pedestals, lateral files, file centers, and vertical storage components come with square or radius edges. Choose overhead flipper storage with fabric or painted metal fronts, and open shelves with high or low ends.



Tower storage cabinets are a new CMW option. They are available in a variety of configurations including a wardrobe with cabinet/box/box/file, bookcases, and 2-door storage cabinets. Radius and square edges with corresponding pulls offer you the style that fits your workspace. The LL Series lock allows you to key alike with other Compatico components.

Newly designed **beltline panels** offer power above the work surface. Beltline panels feature a standard tackable surface above the side cover in 53" and 65" heights. Power is a 4-circuit/8-wire system with an isolated, dedicated circuit.

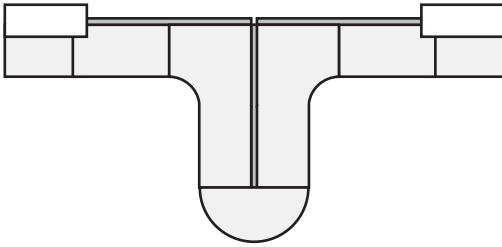
File centers are work surface supporting. They come in 6 standard colors and are 30" wide. They can be configured as a box/box/file/lateral, file/file/lateral or lateral/lateral.

Overhead storage units can be fabric covered or metal. Metal flippers feature door fronts that can recede or go over the top. LL Series locks allow you to key alike with other components.

Wire management side covers located in the base of a panel are powder coated 18-gauge steel, and utilize a 4-circuit/8-wire electrical system with an isolated dedicated circuit.

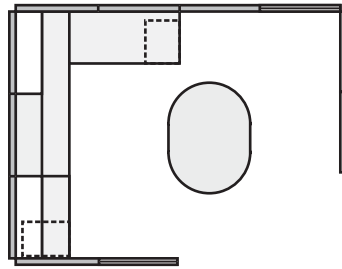
Work Stations and Product Lists

Office System found on page 3



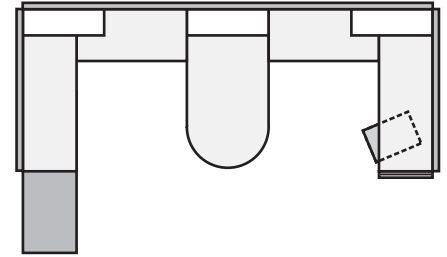
QTY.	PROD. #	PRODUCT DESCRIPTION
3	STB141.36	Panel Assembly, CMW 41x36
3	STB153.36	Panel Assembly, CMW 53x36
2	STB165.36	Panel Assembly, CMW 65x36
3	SWU841.01	Varying Height Connector Kit, Straight 41
2	SWU853.01	Varying Height Connector Kit, Straight 53
1	SWU853.02	Varying Height Connector Kit, Angle 53
2	STP412.02	Work Surface, CMW w/ 3MM-Edge, 72x24
1	900	Corner W/S, CMW, 3MM, 72Rx36Lx24", IC
1	900	Corner W/S, CMW, 3MM, 36Rx72Lx24", IC
1	STP438.02	Work Surface 180 Spanner, CMW w/ 3MM-Edge, 24
1	STP186.20	Cantilever, CMW Pair
4	STP167.20	Cantilever, CMW Shared
1	STU455.01	Corner Work Surface Support Bracket, Pair
1	UNP470.01	Peninsula Support Leg, Single
2	STP443.02	Transaction W/S, CMW w/ 3MM-Edge, 36x14
4	STP556.01	Counter Top Support Bracket, Pair
2	SWP708.30	File Center, 6/6/12/30

Office system found on page 5



QTY.	PROD. #	PRODUCT DESCRIPTION
4	STB680.36	Panel Assembly, Full-Glazed cl, CMW 80x36
7	STB180.36	Panel Assembly, CMW 80x36
1	STP404.02	Work Surface, CMW w/ 3MM-Edge, 36x24
1	STP408.02	Work Surface, CMW w/ 3MM-Edge, 48x24
1	STP412.02	Work Surface, CMW w/ 3MM-Edge, 72x24
1	SWP201.36	Work Surface, Racetrack w/ 3MM-Edge, 48x36
1	STP186.20	Cantilever, CMW Pair
1	STP167.20	Cantilever, CMW Shared
2	UNP107.26	Bi-Point Base Assembly Kit
2	STA273.36	Flipper Door Unit, Fabric-Covered 36
1	STU284.36	CMW Full Height Shelf Unit
1	SWP624.22	Pedestal, CMW Option 2, F/F 22 Supporting
1	SWP694.22	Pedestal, CMW Option 2, B/B/F 22 Supporting

Office System found on page 7



QTY.	PROD. #	PRODUCT DESCRIPTION
1	STB465.24	Panel Assembly, Partial-Glazed cl, CMW 65x24
9	STB165.36	Panel Assembly, CMW 65x36
2	STP408.02	Work Surface, CMW w/ 3MM-Edge, 48x24
2	STP412.02	Work Surface, CMW w/ 3MM-Edge, 72x24
1	STP426.02	W/S Peninsula, CMW w/ 3MM-Edge, 72x36
3	STP186.20	Cantilever, CMW Pair
2	STP167.20	Cantilever, CMW Shared
1	UNP470.02	Peninsula Support Leg, Dual
2	SWP731.36	Flipper Unit w/ Receding Door, CMW, Metal 36
1	SWP719.36	Shelf Unit, CMW, Low Ends, Metal 36
1	SWL834.23	Wardrobe/Storage Tower, 64H
1	SWP698.22	Pedestal, CMW Option 2, B/B/F 22 Mobile



FINISHES

Panel Fabric:	Burch 7332 Haze & Burch 7337 Mirage
Finish:	GV1, Grey Value One
Wire Mgmt.:	GV1, Grey Value One
Laminate:	GV1, Grey Value One
3MM Edge:	GV1, Grey Value One
Pedestal Finish:	GV1, Grey Value One

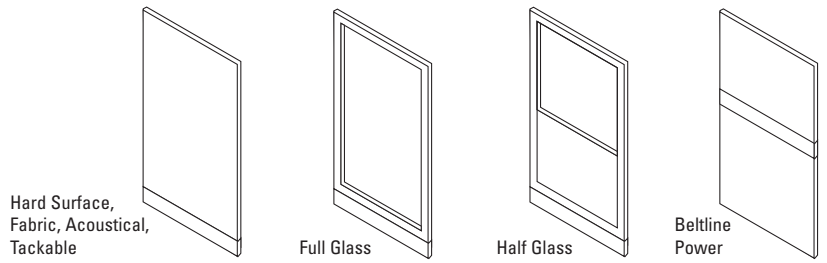
FINISHES

Panel Fabric:	Guilford of Maine Coastline Beach Glass 3495.032
Finish:	WW, Warm White
Wire Mgmt.:	WW, Warm White
Laminate:	Wilsonart Fusion Maple 7909-60
3MM Edge:	W7909 Fusion Maple
Flipper Fabric:	Guilford of Maine Phone Tag Clover 2314.011
Pedestal Finish:	WW, Warm White

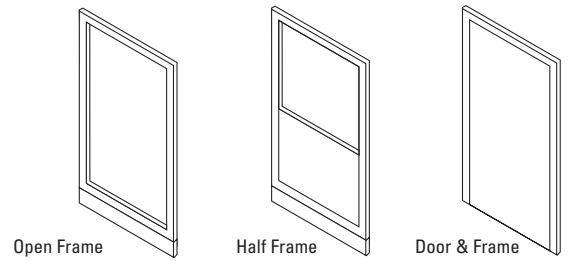
FINISHES

Panel Fabric:	Guilford of Maine Lido Bryce Canyon 2858.065
Finish:	SB, Solar Black
Wire Mgmt.:	SB, Solar Black
Laminate:	Wilsonart Wild Cherry 7054-60
3MM Edge:	W7054 Wild Cherry
Flipper Finish:	SB, Solar Black
Pedestal Finish:	SB, Solar Black

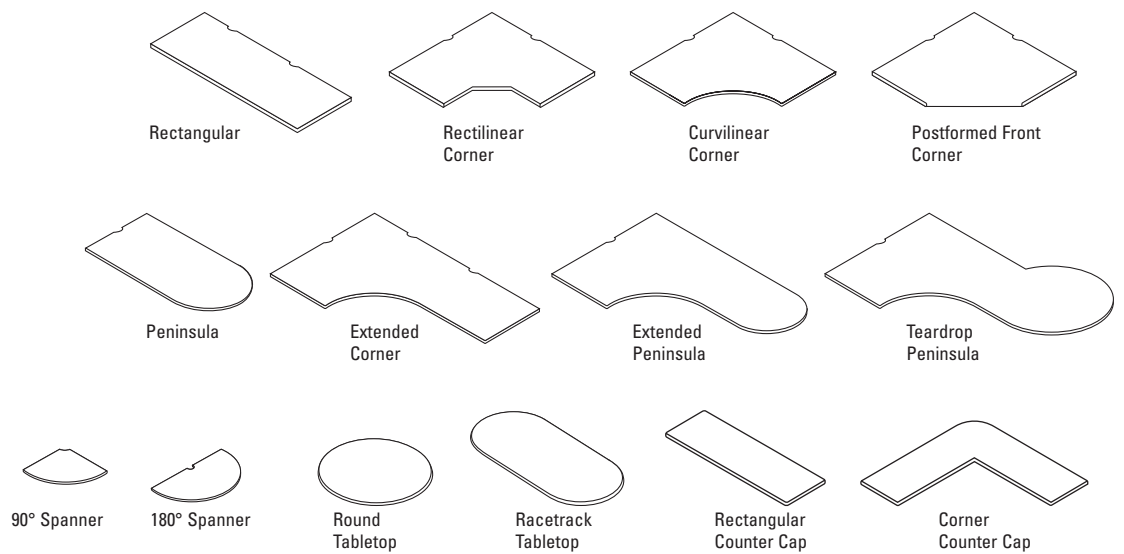
Panels



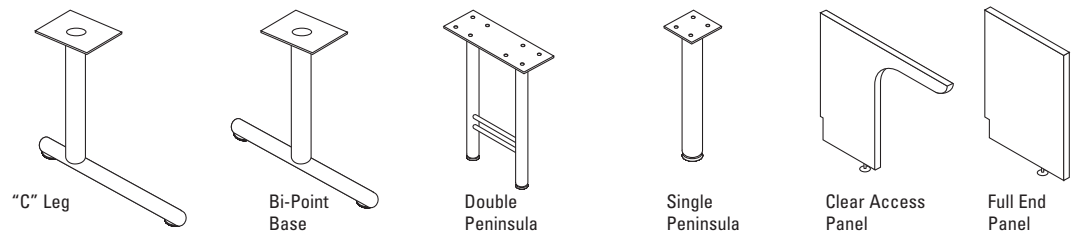
Frames & Doors



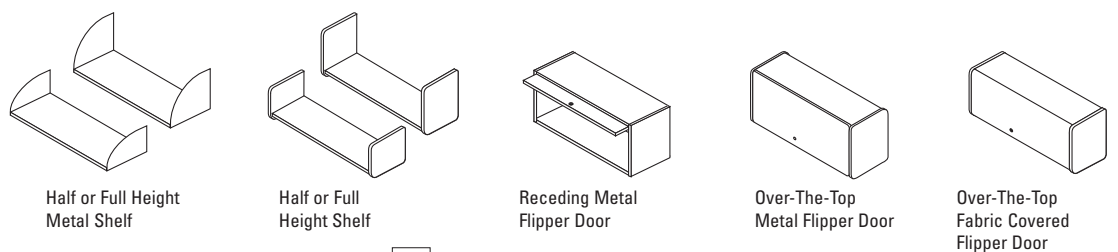
Worksurfaces



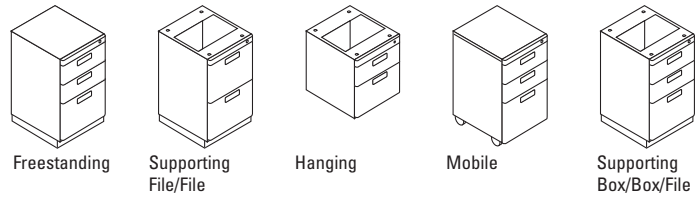
Worksurface Supports



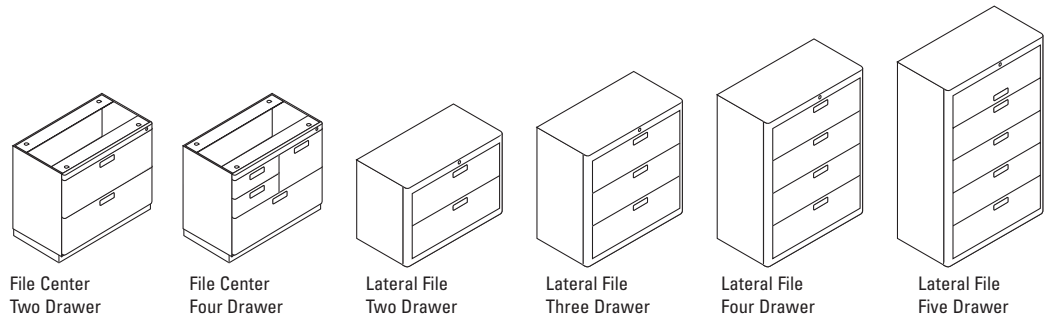
Overhead Storage



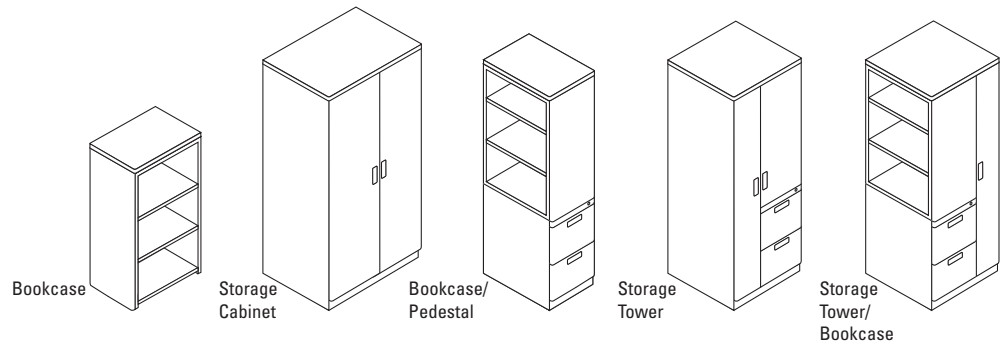
Pedestals



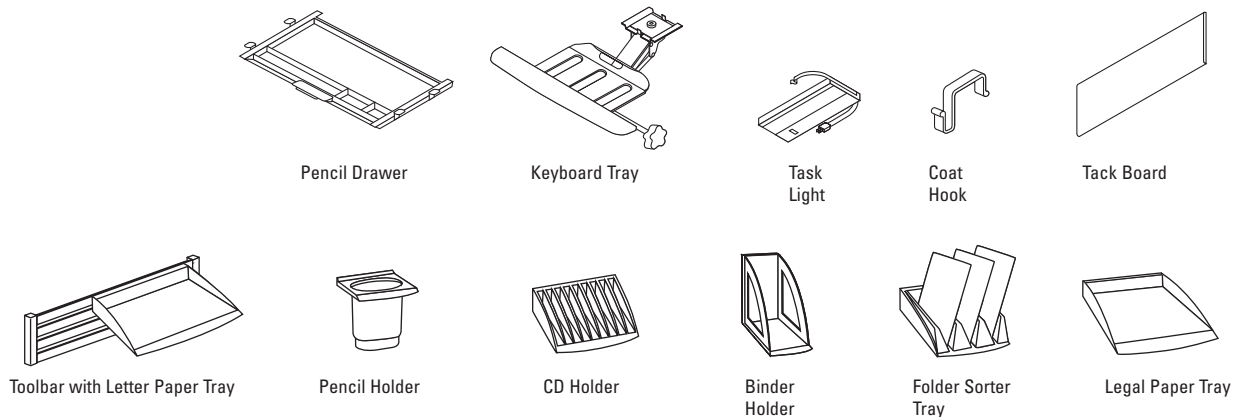
File Centers & Laterals



Storage Towers



Accessories





customer first
service

